

Paper Petition Details

Ragstone Road – Car Parking

1. We, the residents of Ragstone Road, Slough, have been subject to substantial traffic and vehicle pressures for many, many years.
2. There has been an extraordinary volume of traffic from both directions, as Ragstone Road is treated as a convenient by-pass from the main adjacent Windsor Road (easy cut through). A significant number of vehicles are parked on the road, by individuals who do not live or work on the road; as Ragstone Road is walking distance from Slough town centre. There is illegal parking, by individuals who use Ragstone Road as a short stopping point with no regulation by traffic wardens.
3. We urge Slough Borough Council to urgently review this serious and highly pressurised situation, and introduce measures to ensure parking access and safety for residents, such as by means of a one-way traffic and/or residents only parking. We urge Slough Borough Council to consult with the local residents about this urgent and expanding problem.

This petition was received on 20th October 2011.

This petition was passed to the Network Management Team Leader on 20th October 2011

This petition was responded to on 23rd November 2011 by the Network Management Team Leader.

Final Results

Number of Signatures	29
-----------------------------	-----------

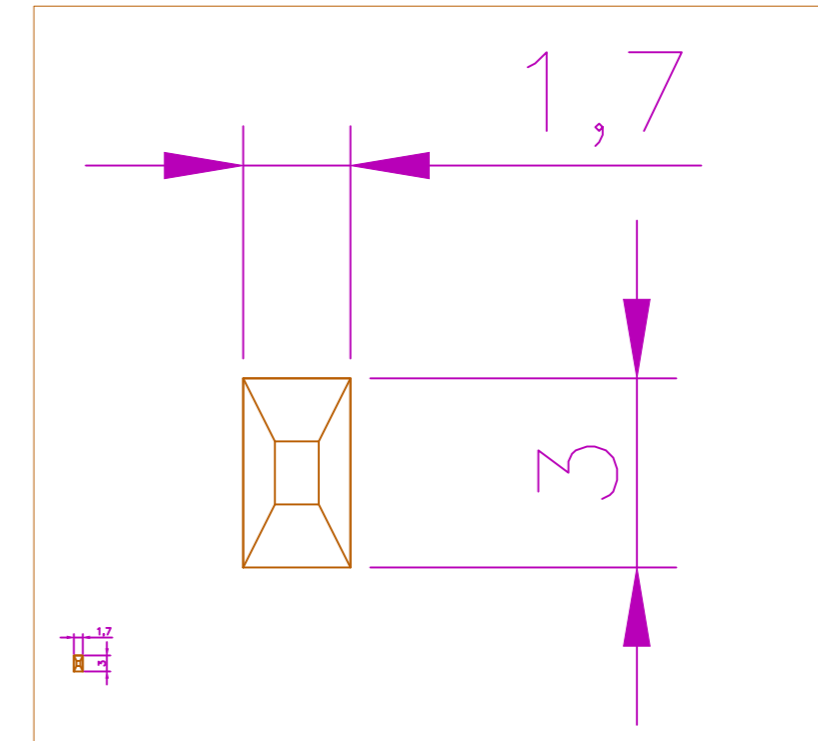
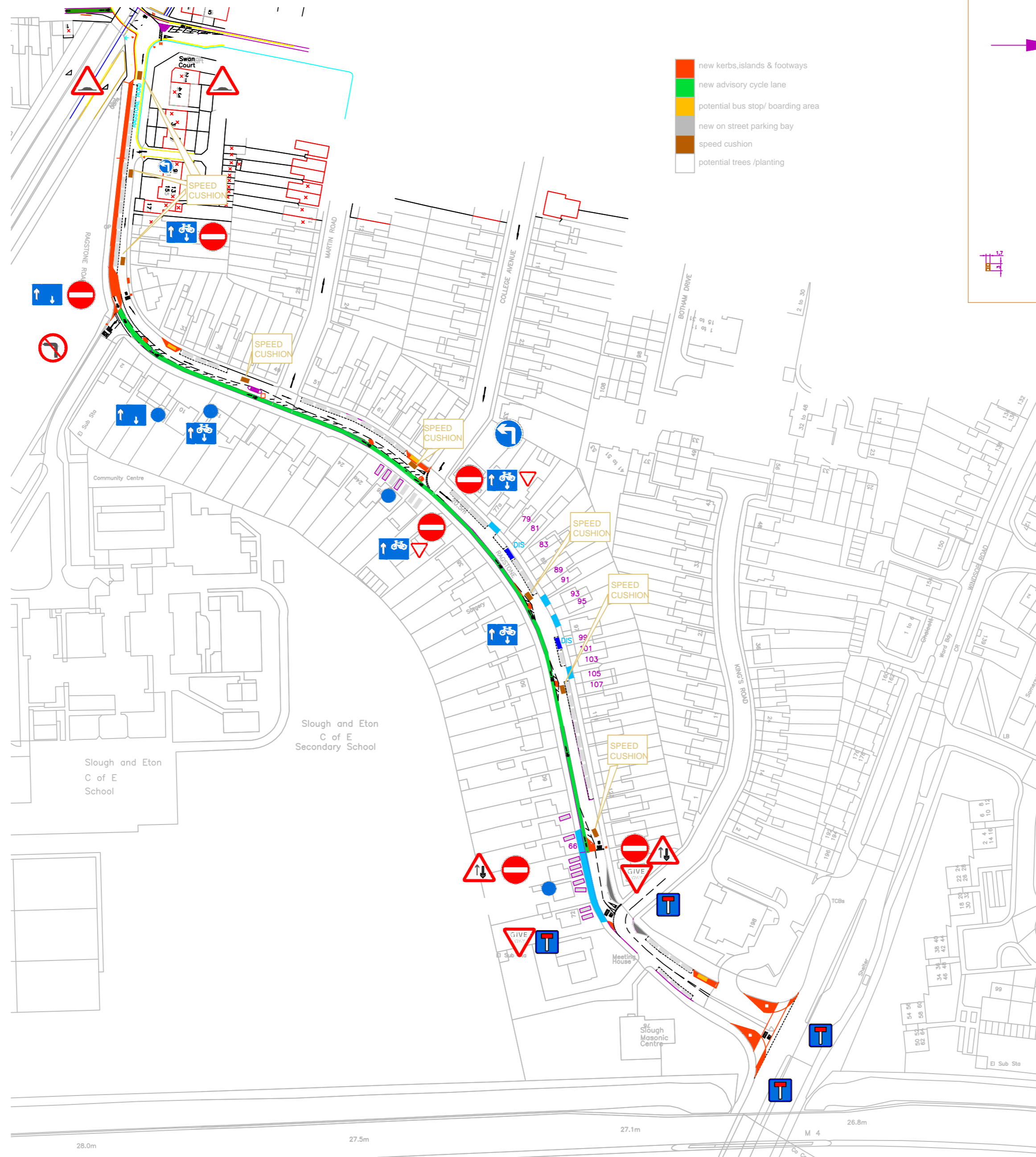
Council Response

I am writing to respond formally to the petition submitted in October, in relation to the council's proposed experimental measures in Ragstone Road.

The deployment of the experimental measures is now well underway. The works in Chalvey Road East and Chalvey Road West are virtually complete. Works are well underway at the junction of High Street, Chalvey Road West and Church Street. Thames Water are still working in Ledgers Road and Ragstone Road, so we have not been able to complete our own measures in these roads. Likewise we will not be able to complete the experimental works underneath the railway bridge until Thames Water's works and the bridge painting works are complete.

We are hoping to be able to complete the installation of the experimental measures by Christmas. Over the following months the community will be able to experience the benefits and disadvantages of the scheme at first hand, and we will be engaging with the community to establish which features of the scheme are supported and which are not welcome. The feedback we have received so far suggests that there are a range of views within the community.

In Ragstone Road we are planning to deploy our experimental measures as soon as possible after Thames Water have completed their works. This will include marking out formal parking bays. Once these are marked out, as you have requested in your petition, we will then consult all the residents of Ragstone Road as to whether they wish the parking bays to be designated for residents' parking. I have enclosed a plan showing the proposed experimental layout of Ragstone Road. This shows the locations of the parking bays, which could be considered for residents' parking.



REV	DRN	CHKD	FIRST ISSUE	DATE

www.slough.gov.uk
Slough
 Borough Council

Department of Resources
 and Regeneration
 St. Martins Road
 51 Bath Road,
 Slough, SL1 3FB

Based on the Ordnance Survey map with the permission of the Ordnance Survey. All rights reserved. Copyright and database right 2010. Licence No. 100019446.

Title
**Trial One-Way Traffic
 Ragstone Road
 Chalvey
 Slough
 Speed Cushions**

Scale See Insets	Date 10/11/11
Drawn KM	Checked

Drg. No. TM/CH/RRSC1